



STRONG PARTNERS. TOUGH TRUCKS.

**Powered pallet truck with folding platform
P2.0SE, P2.0S, P2.0SD**





P2.0SE, P2.0S, P2.0SD

CHARACTERISTICS	1.1	Manufacturer	
	1.2	Model designation	
	1.3	Power: battery, diesel, LPG, electric mains	
	1.4	Operation: manual, pedestrian, stand, seat, orderpicker	
	1.5	Load capacity	Q (kg)
	1.6	Load centre	c (mm)
	1.8	Load distance ☺	x (mm)
	1.9	Wheelbase	y (mm)

HYSTER		HYSTER	
P2.0SE		P2.0SE High Performance	
Battery		Battery	
Pedestrian		Stand-on	
2 000		2 000	
600		600	
1 012		1 012	
1 419		1 491	

WEIGHTS	2.1	Unladen weight (including battery) ☺	kg
	2.2	Axle loading with load, front/rear ☺	kg
	2.3	Axle loading without load, front/rear ☺	kg

750 (800)		750 (800)	
1 050	1 700	1 050	1 700
550	200	550	200

WHEELS & TYRES	3.1	Tyres: rubber, polyurethane, vulkollan, front/rear	
	3.2	Tyre size, front	
	3.3	Tyre size, rear	
	3.4	Additional wheels (dimensions)	
	3.5	Number of wheels, front/rear (X = driven)	
	3.6	Track width, front	b ₁₀ (mm)
	3.7	Track width, rear ☺	b ₁₁ (mm)

Poly / Poly		Poly / Poly	
Ø 230 x 75		Ø 230 x 75	
Ø 85 x 94		Ø 85 x 94	
Ø 125 x 50		Ø 125 x 50	
1X+2	4	1X+2	4
480		480	
390		390	

DIMENSIONS	4.2	Height of mast, lowered	h ₁ (mm)
	4.3	Free lift	h ₂ (mm)
	4.4	Lift height	h ₃ (mm)
	4.5	Height of mast, extended	h ₄ (mm)
	4.6	Initial lift	h ₅ (mm)
	4.9	Height of filler arm in working position min./max.	h ₁₄ (mm)
	4.15	Lowered height	h ₁₃ (mm)
	4.19	Overall length (pedestrian)	l ₁ (mm)
	4.19	Overall length (stand-on) ○	l ₁ (mm)
	4.20	Length to face of forks (pedestrian)	l ₂ (mm)
	4.20	Length to face of forks (stand-on) ○	l ₂ (mm)
	4.21	Overall width	b ₁ (mm)
	4.22	Fork dimensions ↔	s/e/l (mm)
	4.24	Fork carriage width	b ₃ (mm)
	4.25	Outside fork width min./max. ☺	b ₅ (mm)
	4.31	Ground clearance under mast, with load	m ₁ (mm)
	4.32	Ground clearance centre of wheelbase	m ₂ (mm)
	4.33	Aisle width with pallet 1 000 x 1 200 crossways VDI 2198 (pedestrian)	Ast (mm)
	4.33	Aisle width with pallet 1 000 x 1 200 crossways VDI 2198 (stand-on) ☺	Ast (mm)
	4.34	Aisle width with pallet 800 x 1 200 lengthwise VDI 2198 (pedestrian)	Ast (mm)
4.34	Aisle width with pallet 800 x 1 200 lengthwise VDI 2198 (stand-on) ☺	Ast (mm)	
4.35	Turning radius (pedestrian)	W _a (mm)	
4.35	Turning radius (stand-on) ☺	W _a (mm)	

-		-			
-		-			
130		130			
-		-			
-		-			
1 220	1 460	1 220	1 460		
85		85			
1 850		1 922			
2 296		2 368			
658		730			
1 104		1 176			
716		716			
170	55	1 191	170	55	1 191
-		-			
560		560			
-		-			
30		30			
1 858		1 930			
2 308		2 380			
2 058		2 130			
2 508		2 580			
1 670		1 742			
2 120		2 192			

PERFORMANCE	5.1	Travel speed with/without load (pedestrian)	km/h
	5.1	Travel speed with/without load (stand-on)	km/h
	5.2	Lift speed with/without load	m/s
	5.3	Lowering speed with/without load	m/s
	5.7	Gradeability with/without load ☺	%
	5.8	Max. gradeability with/without load ☺	%
5.10	Service Brake		

6,0	6,0	6,0	6,0
6,0	6,0	7,4 →	7,5 →
0,03	0,04	0,03	0,04
0,05	0,04	0,05	0,04
10 ★	20 ★	10 ★	20 ★
10 ★	20 ★	10 ★	20 ★
Electro magnetic		Electro magnetic	

POWER UNIT	6.1	Drive motor, S2 60 minute rating	kW
	6.2	Lift motor, S3 16% rating	kW
	6.3	Battery according to DIN 43531/35/36 A,B,C, no	
	6.4	Battery voltage/capacity at 5 hours rate	V/Ah
	6.5	Battery weight (+/- 5%)	kg
	6.6	Consumptions according to VDI cycle	kWh/h

2,0		2,0	
1,0		2,0	
no		no	
24	210	24	315
215		330	
-		-	

OTHER	8.1	Drive control	
	8.4	Average noise level at operator's ear	dB (A)
		Vibrations	m/sec ²

Mosfet ~ AC		Mosfet ~ AC	
<70		<70	
3,20		3,20	

Specification Data is based on VDI 2198

Equipment and weight:

Weights (line 2.1) are based on the following specifications:

Complete truck with 170 mm wide forks. Polyurethane drive wheel and load rollers (P2.0SE).

Complete truck with 170 mm wide forks. Vulkollan drive wheel and load rollers (P2.0S).

Complete truck with 195 mm wide forks, Vulkollan drive wheel and load rollers (P2.0SD).



P2.0SE, P2.0S, P2.0SD

HYSTER		HYSTER		HYSTER		HYSTER		
P2.0S		P2.0S		P2.0S		P2.0SD		1.1
P2.0S		P2.0S		P2.0S		P2.0SD		1.2
Battery		Battery		Battery		Battery		1.3
Pedestrian (stand-on)		Pedestrian (stand-on)		Pedestrian (stand-on)		Pedestrian (stand-on)		1.4
2 000		2 000		2 000		1 000 + 1 000		1.5
600		600		600		600		1.6
1 004		1 004		1 004		992		1.8
1 485		1 525		1 575		1 702		1.9

CHARACTERISTICS

950 (1 000)		950 (1 000)		950 (1 000)		1 050 (1 100)		
1 150 (1 200)	1 800	1 150 (1 200)	1 800	1 150 (1 200)	1 800	1 100 (1 150)	1 950	2.1
750 (800)	200	750 (800)	200	750 (800)	200	750 (800)	300	2.2
								2.3

WEIGHTS

Poly / Poly		Poly / Poly		Poly / Poly		Poly / Poly		
Ø 254 x 90		Ø 254 x 90		Ø 254 x 90		Ø 254 x 90		3.1
Ø 85 x 94		Ø 85 x 94		Ø 85 x 94		Ø 85 x 74		3.2
Ø 125 x 50		Ø 125 x 50		Ø 125 x 50		Ø 125 x 50		3.3
1X+2	4	1X+2	4	1X+2	4	1X+1	4	3.4
526		526		526		484		3.5
390		390		390		375		3.6
								3.7

WHEELS & TYRES

-		-		-		1 560		4.2		
-		-		-		100		4.3		
130		130		130		1 650		4.4		
-		-		-		2 325		4.5		
-		-		-		130		4.6		
1 220	1 460	1 220	1 460	1 220	1 460	1 220	1 460	4.9		
85		85		85		90		4.15		
1 922		1 962		2 012		2 129		4.19		
2 368		2 408		2 458		2 575		4.19		
739		779		829		969		4.20		
1 185		1 225		1 275		1 415		4.20		
780		780		780		780		4.21		
170	55	1 183		170	55	1 183	55	195	1 190	4.22
-		-		-		675		4.24		
560		560		560		570		4.25		
-		-		-		30		4.31		
30		30		30		30		4.32		
1 939		1 979		2 029		2 770		4.33		
2 386		2 426		2 476		3 208		4.33		
2 139		2 179		2 229		2 621		4.34		
2 586		2 626		2 676		3 059		4.34		
1 743		1 783		1 833		1 970		4.35		
2 190		2 230		2 280		2 408		4.35		

DIMENSIONS

6,0	6,0	6,0	6,0	6,0	6,0	6,0	6,0	5.1
10,0 →	10,5 →	10,0 →	10,5 →	10,0 →	10,5 →	8,0	8,5	5.1
0,03	0,04	0,03	0,04	0,03	0,04	0,16	0,22	5.2
0,05	0,04	0,05	0,04	0,05	0,04	0,30	0,28	5.3
10 ★	20 ★	10 ★	20 ★	10 ★	20 ★	8	10	5.7
10 ★	20 ★	10 ★	20 ★	10 ★	20 ★	8	10	5.8
Electro magnetic		Electro magnetic		Electro magnetic		Electro magnetic		5.10

PERFORMANCE

4,0		4,0		4,0		4,0		6.1
2,0		2,0		2,0		2,0		6.2
no		no		no		no		6.3
24	210	24	400	24	500	24	300	6.4
24	250							
24	300							
215		330		400		260		6.5
215								
260								
-	-	-	-	-	-	-	-	6.6

POWER UNIT

Mosfet ~ AC		Mosfet ~ AC		Mosfet ~ AC		Mosfet ~ AC		8.1
<70		<70		<70		<70		8.4
-		-		-		-		

OTHER

Forks:

P2.0SE: 55 x 170 x 1 191 mm long

P2.0S: 55 x 170 x 1 183 mm long

P2.0SD: 55 x 195 x 1 190 mm long

Fork spacing:

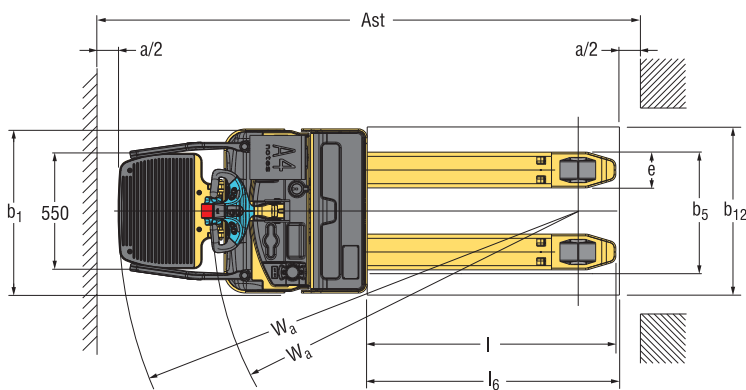
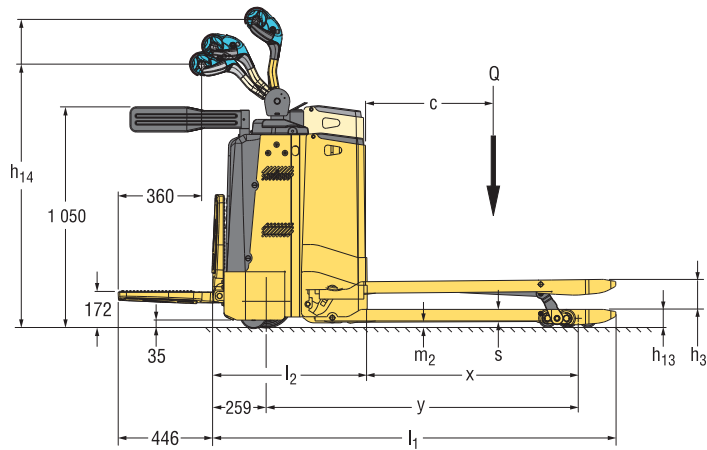
Inside to inside: 220 mm (P2.0SE-S), 180 mm (P2.0SD)

Outside to outside: 560 mm (P2.0SE-S), 570 mm (P2.0SD)

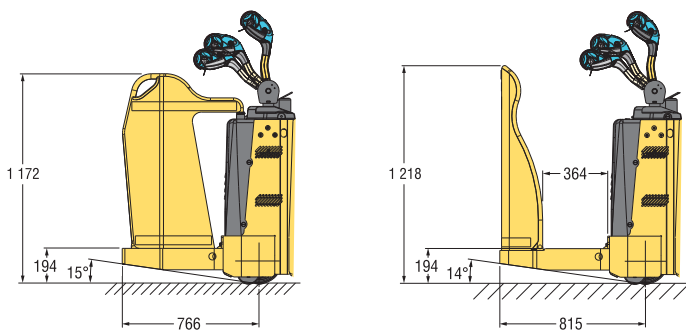
Other fork lengths and widths are optional.



Truck dimensions



$Ast = W_a + x + l_6 + a$ (see lines 4.33 & 4.34)
 a = Minimum operating clearance
 (V.D.I. standard = 200 mm BITA recommendation = 300 mm)
 l_6 = Load length



NOTE:

The condition of the vehicle and how it is equipped, as well as the nature and condition of the operating area affect specifications. If these specifications are critical, the proposed application should be discussed with your dealer.

Value or text in brackets are referred to a truck equipped with fixed side (Biga) or fixed back (Bob) protections.

- ◆ Values are referred to a P2.0S equipped with Servo Power Steering and battery compartment of 400 Ah (300 Ah for P2.0S) with Fork $b_5 = 560$ L = 1183
- ❖ Speed with electric Servo Power steering. For higher speed (12,5 km/h) applications consult your TM - TC
- Values determined by wheel friction, if climbing ramps frequently (within 1 h), consult your salesman
- With mechanical steering 6/6 km/h cause truck is without side gates, With Optional fixed or foldable Side protection 7,4/7,5 km/h
- ▲ More forks dimensions see the table
- Add 61 mm with fixed side protection (Biga)
Add 110 mm with fixed back protection (Bob)
- Add 75 mm with fixed side protection (Biga)
Add with 114 mm fixed back protection (Bob)
- ★ 10/15 with fixed side protection (Biga),
10/14 with fixed back protection (Bob)

Notice

Care must be exercised when handling elevated loads. When the carriage and/or load is elevated, truck stability is reduced. Operators must be trained and adhere to the instructions contained in the Operating Manual.

Hyster products are subject to change without notice. Lift trucks illustrated may feature optional equipment.



This truck conforms to the current EU requirements.



Product Features

- P2.0SE Powered pallet truck with folding platform, mechanical steering.
- P2.0S Powered pallet truck with folding platform, power steering.
- P2.0SD Powered pallet truck with folding platform, double pallet handler.

Dependability

- MOSFET high frequency Combi controller for traction and hydraulic controls.
- Welded fork construction makes them highly resistant to torsion and heavy loads.
- Tough two-stage mast with high through-visibility on SD models.
- Hour meter and battery discharge indicator with lift interrupt fitted.
- Cold store protection for application to -30 °C.

Productivity

- Compact chassis design to improve accessibility.
- Operator-friendly tiller head controls for productive load handling.
- Regenerative braking and anti-rollback both available.
- Drive modes tailored around operation needs: pedestrian or stand-on, with or without side arms raised.
- Progressive speed control and steering system ensure optimum performance levels.
- Tandem load wheels and exit / entry rollers.
- Optional key-pad with PIN code for enhanced warehouse management.

Ergonomics

- Ergonomically designed tiller head for maximum operator comfort.
- Generously proportioned folding platform, with built-in suspension.
- Low effort controls ergonomically positioned to reduce operator fatigue.
- Dual lift/lower controls allow operation by either hand.
- Power steering on P2.0S models makes truck highly manoeuvrable.
- 'Corner control' system reduces speed automatically when cornering.
- Adjustable performance settings to suit specific operating conditions.

Cost of ownership

- AC motor provides superior performance and reduced operation costs.
- Power transmission supplied via helicoidal gears, running in oil bath.
- IP54 standards control for protection against dust and water.
- Extended service intervals.
- High frequency on-board charger on SE models for quick on-site recharge

Serviceability

- Brushless lift motor construction ensures low maintenance requirements.
- Built-in diagnostic system for preventative maintenance communication reduces downtime.
- Driver Diagnostic Interface (DDI) allows selection of appropriate performance settings for specific applications.
- CANbus technology for increased functionality, reliability and servicing.



**Strong Partners, Tough Trucks,
for Demanding Operations Everywhere.**

Hyster supplies a complete product range, including Warehouse trucks, IC and Electric Counterbalanced trucks, Container Handlers and Reach Stackers.

Hyster is committed to being much more than a lift truck supplier. Our aim is to offer a complete partnership capable of responding to the full spectrum of materials handling issues:

Whether you need professional consultancy on your fleet management, fully qualified service support, or reliable parts supply, you can depend on Hyster.

Our network of highly trained dealers provides expert, responsive local support. They can offer cost-effective finance packages and introduce effectively managed maintenance programmes to ensure that you get the best possible value. Our business is dealing with your materials handling needs so you can focus on the success of your business today and in the future.



Hyster Europe, Flagship House, Reading Road North, Fleet, Hants GU51 4WD, England.

Tel: +44 (0) 1252 810261 Fax: +44 (0) 1252 770702

Email: info@hyster.co.uk <http://www.hyster.co.uk>

A division of NACCO Materials Handling Limited.

Hyster®, **HYSTER**®, Vista® and Monotrol® are registered trademarks of Hyster Company in the United States and in certain other countries. **UL**™, Fortens™, Pacesetter VSM™, DuraMatch™, DuraMatch Plus™, TouchPoint™, TouchControl™, EZXchange & HSM™ are trademarks of Hyster Company in the United States and in certain other countries.

